

GN 132.1 | Two-way connecting clamps

for linear actuators, aluminium



- 1
- 2
- 3
- 4
- 5
- 6
- 7
- 8
- 9
- 10
- 11
- 12
- 13
- 14
- 15
- 16
- 17
- 18
-

MATERIAL

Aluminium, epoxy resin coating, RAL 9005 black colour, matte finish.
AISI 304 stainless steel screws and nuts.

STANDARD EXECUTIONS

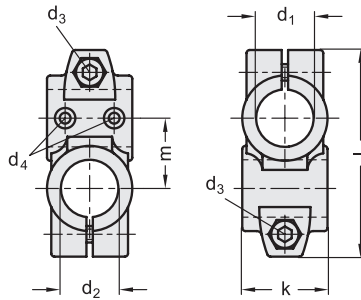
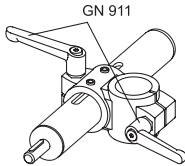
- **GN 132.1-B-B**: without sliding bushing.
- **GN 132.1-G-B**: with polyamide based (PA) or polytetrafluoroethylene based (PTFE) technopolymer sliding bushing (d1).

FEATURES AND APPLICATIONS

GN 132.1 connecting clamps can normally be matched with the linear actuators.

By clamping the guide hole d1 it is possible to adjust the actuator positioning and to lock the slider after having set up the final position.

The clamping screws d3 may be replaced by clamping kits GN 911 (see page 1372).



Code	Description	d1#	d1##	d2#	d3	d4	k	l	m	d3 Clamping kit	⚖️
GN.42806	GN 132.1-B30-B30-40-2-S	30	-	30	M8	M4	40	97	33	GN 911-M8-32	155
GN.42816	GN 132.1-B40-B40-56-2-S	40	-	40	M10	M5	56	125	45	GN 911-M10-40	410
GN.42826	GN 132.1-B50-B50-65-2-S	50	-	50	M10	M6	65	143	53	GN 911-M10-55	600
GN.42836	GN 132.1-B60-B60-80-2-S	60	-	60	M10	M8	80	169	65	GN 911-M10-55	1000
GN.42846	GN 132.1-G30-B30-40-2-S	-	30	30	M8	M4	40	97	33	GN 911-M8-32	155
GN.42856	GN 132.1-G40-B40-56-2-S	-	40	40	M10	M5	56	125	45	GN 911-M10-40	410
GN.42866	GN 132.1-G50-B50-65-2-S	-	50	50	M10	M6	65	143	53	GN 911-M10-55	600
GN.42876	GN 132.1-G60-B60-80-2-S	-	60	60	M10	M8	80	169	65	GN 911-M10-55	1000

Hole without sliding bushing.

Hole with sliding bushing.

Tube connectors

2